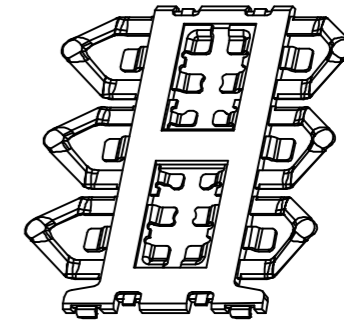
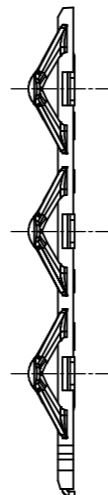
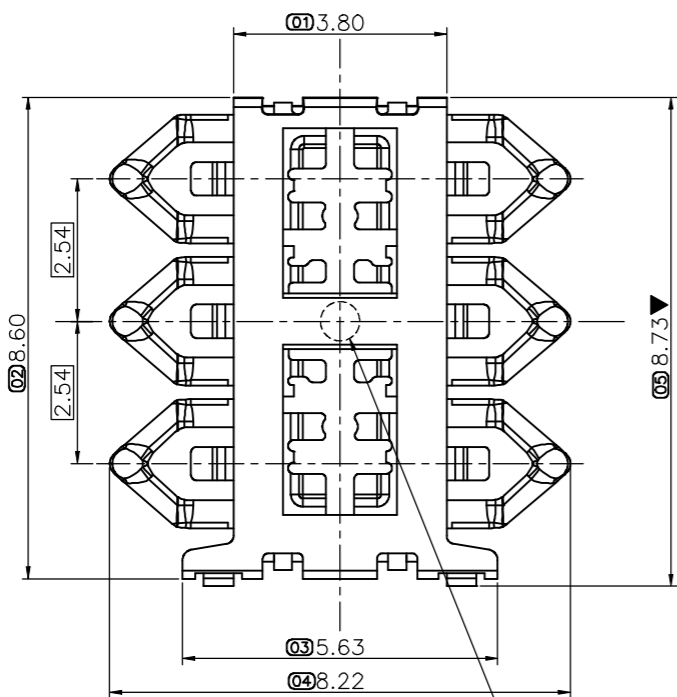
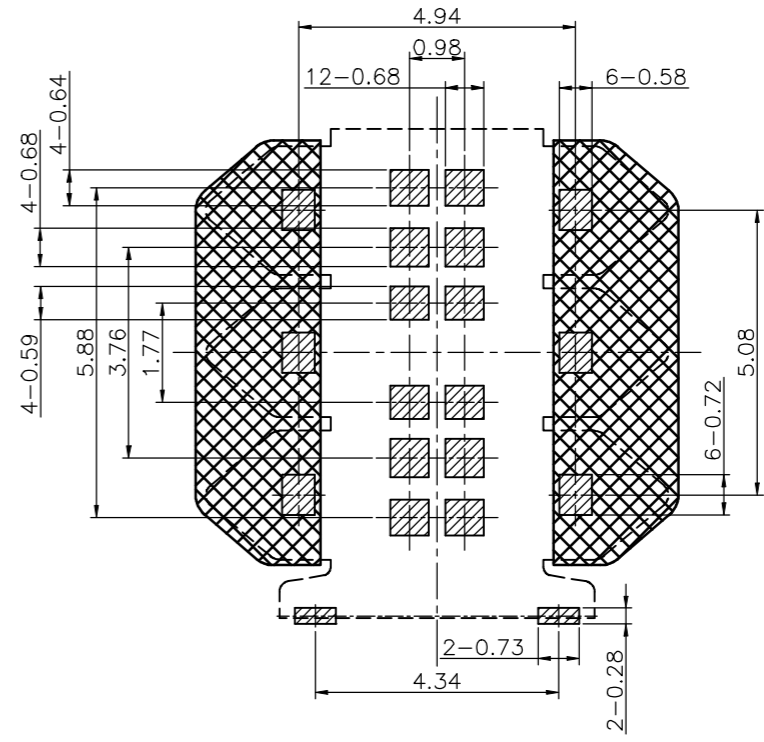
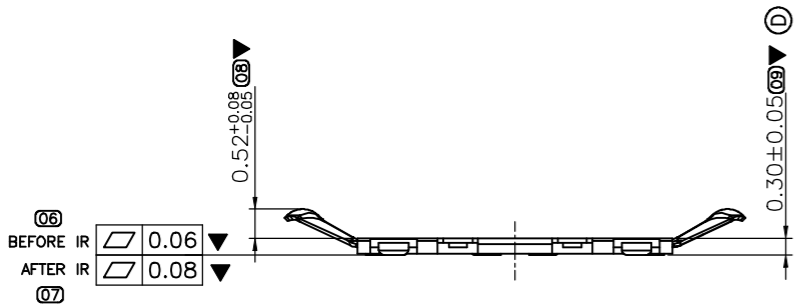


A3

REV	ECN NO	DESCRIPTION	DATE	APPD
A	ECN1809057	INITIAL RELEASE	2018.09.26	ANDREW
B	ECN1811041	CARRIER TAPE WITHOUT CHARGE CHANGE TO 300mm Min	2018.11.15	ANDREW
C	ECN1902008	CHANGE REEL AND CARTON SIZE	2019.02.18	ANDREW
D	ECN1911***	CHANGE DIMENSION 0.30±0.03 TO 0.30±0.05	2019.11.07	ANDREW



∅0.7mm PICK AND PLACE AREA



SOLDER AREA
 DIGGING HOLES 0.05~0.10MM
 CONNECTOR BOUNDARY

- NOTES:**
- ELECTRICAL CHARACTERISTICS:**
 - 1-1. CONTACT CURRENT RATING: 0.5A MAX.
 - 1-2. CONTACT RESISTANCE: 75 mOHMS MAX, AFTER TEST 100 mOHMS MAX.
 - 1-3. INSULATION RESISTANCE: INITIAL: 1000 MOHMS MIN. AFTER TEST: 100 MOHMS MIN.
 - MECHANICAL CHARACTERISTICS:**
 - 2-1. DURABILITY : 3000 CYCLES.
 - 2-2. NOMINAL CONDITION DISPLACEMENT 0.42MM CONTACT NORMAL FORCE 50gf~80gf/Pin. AFTER TEST: 45gf~80gf/Pin, AVERAGE: 50gf/Pin Min
 - ENVIRONMENT CHARACTERISTICS:**
 - 3-1. OPERATING TEMPERATURE: -25°C~85°C
 - 3-2. STORAGE TEMPERATURE: -40°C~85°C
 - RECOMMENDED IR REFLOW PORCESS PEAK TEMPERATURE: 250±5°C, DURATION 10s MAX.
 - ALL SMT CONTACTS AND PADS CO-PLANARITY: 0.08mm MAX
 - FINISH:** CONTACT: NICKEL PLATING OVERALL, Au 2~8u" PLATING AT SOLDER AREA, Au 15u" MIN AT CONTACT AREA.

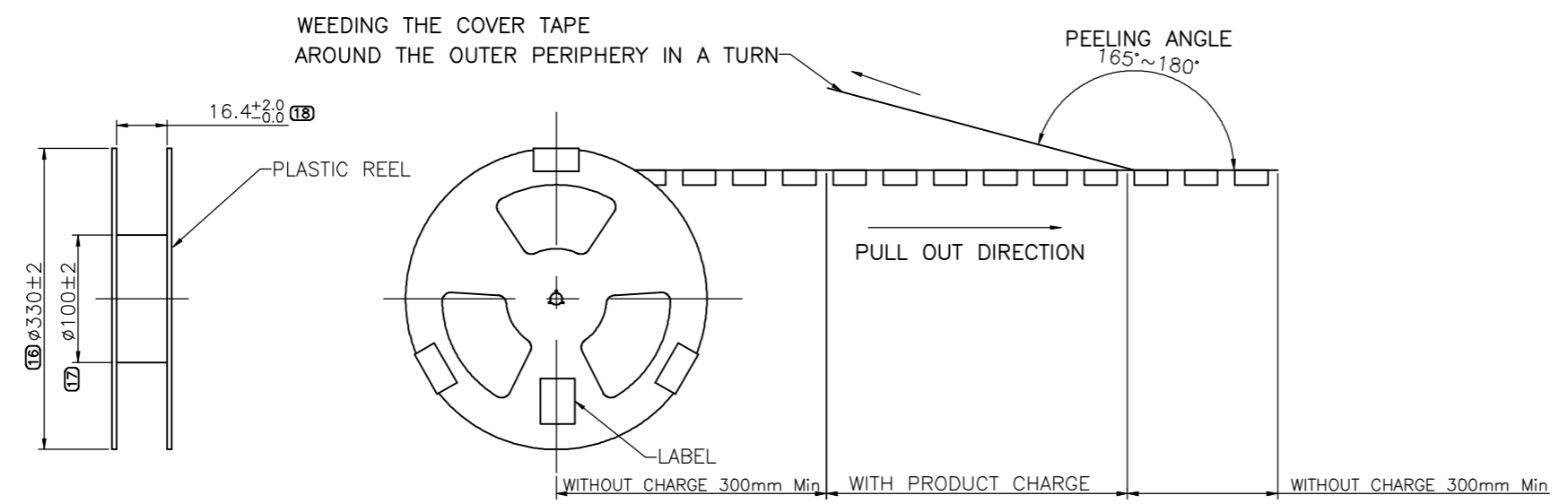
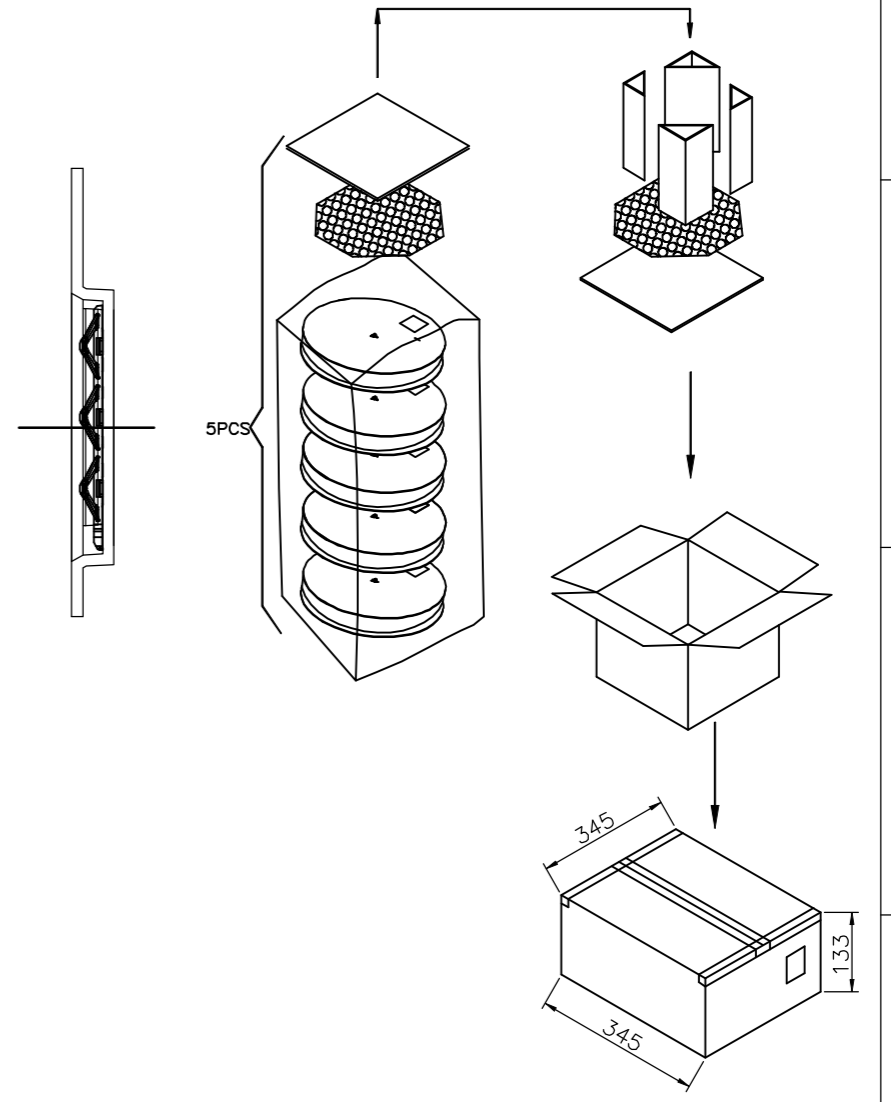
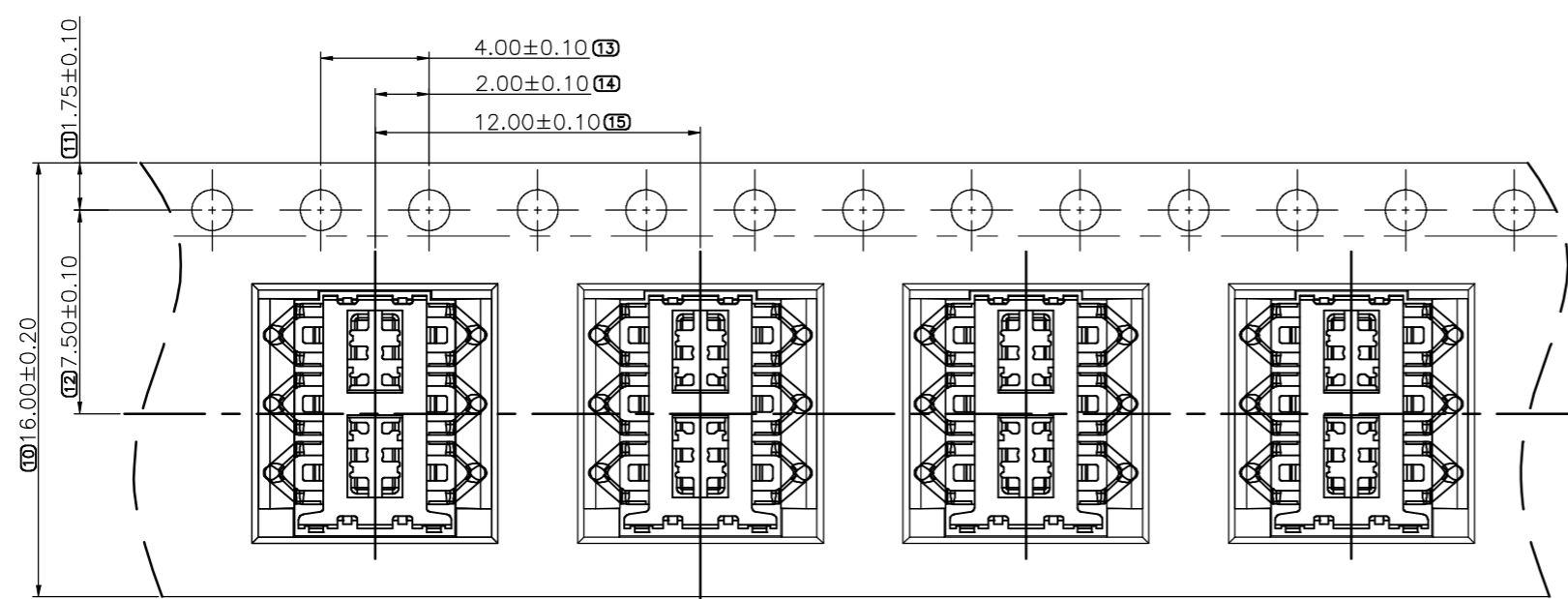
RECOMMENDED PCB LAYOUT
TOLERANCES ±0.05

ITEM	DESCRIPTION	MATERIAL	FINISH	Q'TY
2	CONTACT	COPPER ALLOY C5240HQ-SH	NICKEL UNDER PLATED OVERALL, GOLD 15u" ON CONTACT AREA GOLD 2~8u" ON SOLDER AREA	1
1	HOUSING	THERMOPLASTIC LCP-MG340BLT UL94-V0 LCP S475 BK UL94-V0	N/A	1

EXTEND USE		TITLE		DWG NO C-1.079A0
NANOSIM CARD BLOCK 0.3H		1.079A0 CONN. Customer Drawing		
GENERAL TOLERANCE (M)		MATERIAL	APPD	P/N:
DIMENSION		QTY	CHD	1.079A0-006-5R0
ANGLES		FINISHED	DRN	SHEET SCALE (M) REV
. ±0.30	. ±3'		Ted 2019.11.07	1/2 1:1 (M) D
.0 ±0.25	.0 ±2'			
.00 ±0.20	.00 ±1'			
.000 ±0.10				

A3

REV	ECN NO	DESCRIPTION	DATE	APPD
		SEE SHEET 1/2		



- Notes:
- MATERIAL:
CARRIER TAPE: PS.
COVER TAPE: PE,PET,PEF
 - Q'TY: 3000PCS/REEL, 15000PCS/CARTON
 - PEELING FORCE: 20gf~130gf.

EXTEND USE NANOSIM CARD BLOCK 0.3H	UNIT mm	TITLE 1.079A0 CONN. Customer Drawing	FAF.	
GENERAL TOLERANCE (M)	MATERIAL	APPD ANDREW 2019.11.07	DWG NO C-1.079A0	
DIMENSION . ±0.30 .0 ±0.25 .00 ±0.20 .000 ±0.10	ANGLES ±3° .0 ±2° .00 ±1°	QTY CHD	P/N: 1.079A0-006-5R0	
	FINISHED	DRN Ted 2019.11.07	SHEET 2/2	SCALE 1:1
			REV D	